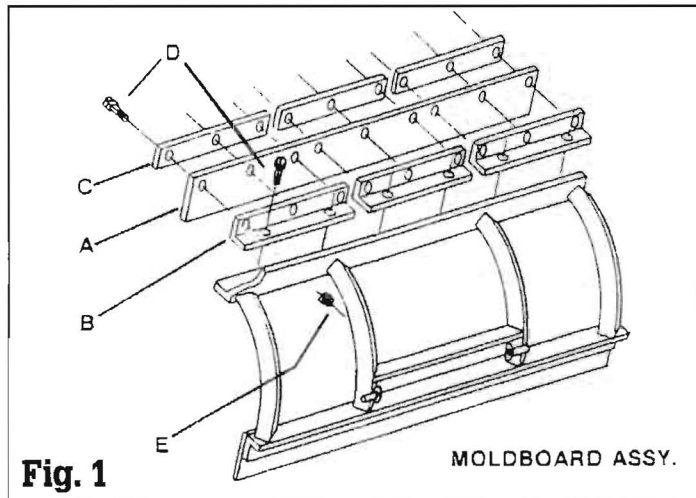


# Installation Instructions

## ST-78, ST-84 & ST-90 Moldboards, Refer to Figure 1

Cut Snow Deflector (A) to Moldboard length (78", 84" or 90"). Position Support Angles (B) as shown, using them as templates, drill 13/32" diameter holes thru moldboard. Attach Support Angles (B) to Moldboard, using 3/8" x 1" Bolts (D) and Locknuts (E). Position Snow Deflector (A) over Support Angles (B) using them as templates drill 13/32" diameter holes through Snow Deflector (A). Attach



### Kit #1309005 replaces OEM 128967

To fit Plow Models ST 78 / 84 / 90

ITEM	PART NO.	QTY.	DESCRIPTION	OEM NO.
1	1309010	1	Rubber	12900
2	1309006	3	Reinforcement Bar	12896022
3	1309007	3	Support Angle	12896021
4	1309008	1	Hardware Bag	1289601

### Kit #1309015 replaces OEM 12898

To fit Plow Models C-7.5 / C-8 / C-8.5 / M-9 / M-10

ITEM	PART NO.	QTY.	DESCRIPTION	OEM NO.
1	1309020	1	Rubber	12901
2	1309006	4	Reinforcement Bar	12896022
4	1309008	1	Hardware Bag	1289601

### Kit #1309025 replaces OEM 12898

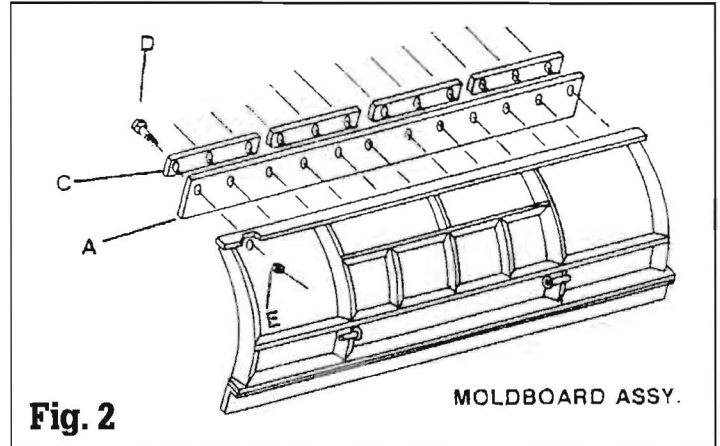
Super Duty to fit Plow Models C-7.5 / C-8 / C-8.5 / M-9 / M-10

ITEM	PART NO.	QTY.	DESCRIPTION	OEM NO.
1	1309030	1	Rubber	12901
2	1309006	4	Reinforcement Bar	12896022
4	1309009	1	Hardware Bag	1289601

Reinforcement Bars (C) and Snow Deflector (A) to Support Angles (B) using 3/8" x 1" Bolts (D) and Locknuts (E).

## C-7.5, C-8, C-8.5, M-9 & M-10 Moldboards, Refer to Figure 2

Cut Snow Deflector (A) to Moldboard length (96", 102", 108" or 120"). Position Reinforcement Bars (C) (three for C-8, four for C-8.5, M-9 & M-10) using them as templates, drill 13/32" diameter holes through top of Moldboard. Position Snow Deflector (A) on Moldboard and using the drill holes, drill corresponding 13/32" diameter holes through Snow Deflector (A). Attach Reinforcement Bars (C) and Snow Deflector (A) to Moldboard using 3/8" x 1" Bolts (D) and Locknuts (E).



### WARRANTY

Buyers Products Co. warrants all truck/trailer hardware manufactured or distributed by it, to be free from defects in material and workmanship for a period of one year from date of shipment. Parts must be properly installed and used under normal conditions. Any product which has been altered, including modification, misuse, accident or lack of maintenance will not be considered under warranty. Normal wear is excluded. The sole responsibility of Buyers Products Co. under this warranty is limited to repairing or replacing any part or parts which are returned, prepaid, and are found to be defective by Buyers Products Co. Authorization from Buyers Products Co. must be obtained before returning any part. No charges for transportation or labor performed on Buyers' products will be allowed under this warranty.