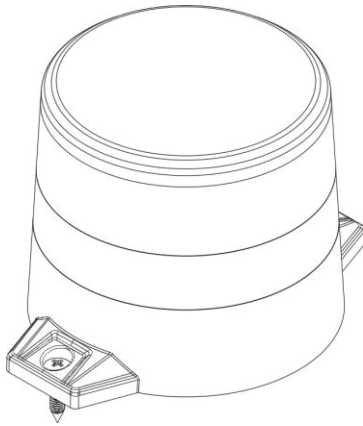


Maxxima®



69-980 (M42701Y)

WARNING BEACON INSTRUCTION MANUAL

CAUTION

- Before drilling holes into the vehicle, ensure that no vehicle components will interfere with the mounting of the beacon. Install grommets into all wire passage holes.
- Do not mount the beacon in a location that will limit visibility out of the vehicle or in a location that will distract the operator of the vehicle. Doing so may limit the operators ability to control the vehicle and may result in serious injury.
- Do not look directly into the beacon while the beacon is operating. The use of high intensity LEDs may cause temporary blindness and/or eye damage.

SPECIFICATIONS

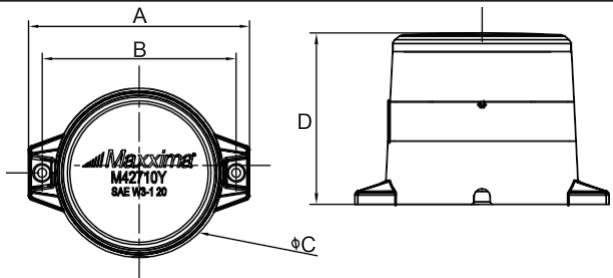
LED Color Amber
Voltage 10 - 80V
Max Power 23W
Flash Patterns 12

SAE J845 Class 1

Dimensions

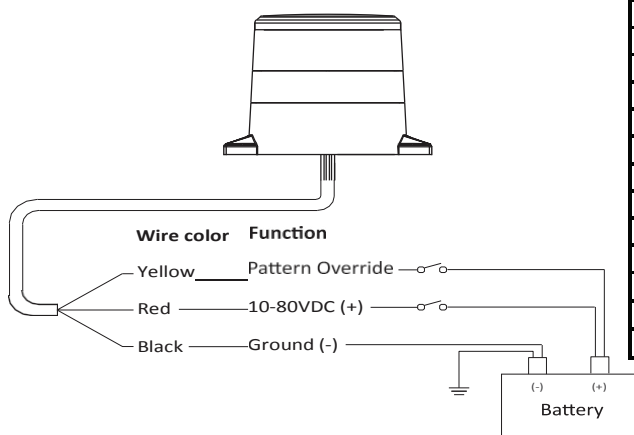
A: 3.9" (9.8 cm) C: 3.0" (7.5 cm)

B: 3.4" (8.6 cm) D: 2.6" (6.6 cm)



- BLACK - Ground ----- Extend to the vehicle ground.
- RED - Main Power ----- Extend to a switch and then to the POSITIVE battery terminal. Fuse at 5 Amps.
- YELLOW - Trigger Wire ----- To cycle to the next pattern, tap to +VDC for 1 second.

Wiring Diagram



FLASH PATTERNS	
Pattern	Flash Pattern Description
1	Fast Single Flash
2	Single Flash (Class 1)
3	Double Flash
4	Triple Flash
5	Quad Flash
6	Quint Flash
7	Alternate Single Flash
8	Rotating
9	Single/Triple Flash
10	Single/Quint Flash
11	Strobe
12	Cruise

MOUNTING

NOTE: Before beginning the beacon installation, ensure that the mounting location is clear of all obstructions. Possible obstructions include but are not limited to: roof support members, wire harnesses, airbags, vehicle trim components. It is recommended that the vehicle's headliner is removed before drilling. If the headliner remains in place, the drill bit may puncture the headliner and cause damage.

Before securing the beacon, the wire harness will need to be routed. If needed drill one hole through the vehicles mounting location. This hole must be at least 1/4" in diameter for the wire to pass through. With the wire in place, seal the wire with silicone for waterproofing.

To mount this beacon, place the beacon in an appropriate location and pass the 2 screws through the mounting holes. Tighten the screws until the beacon is secured to the vehicle.

